

Technical Data Sheet

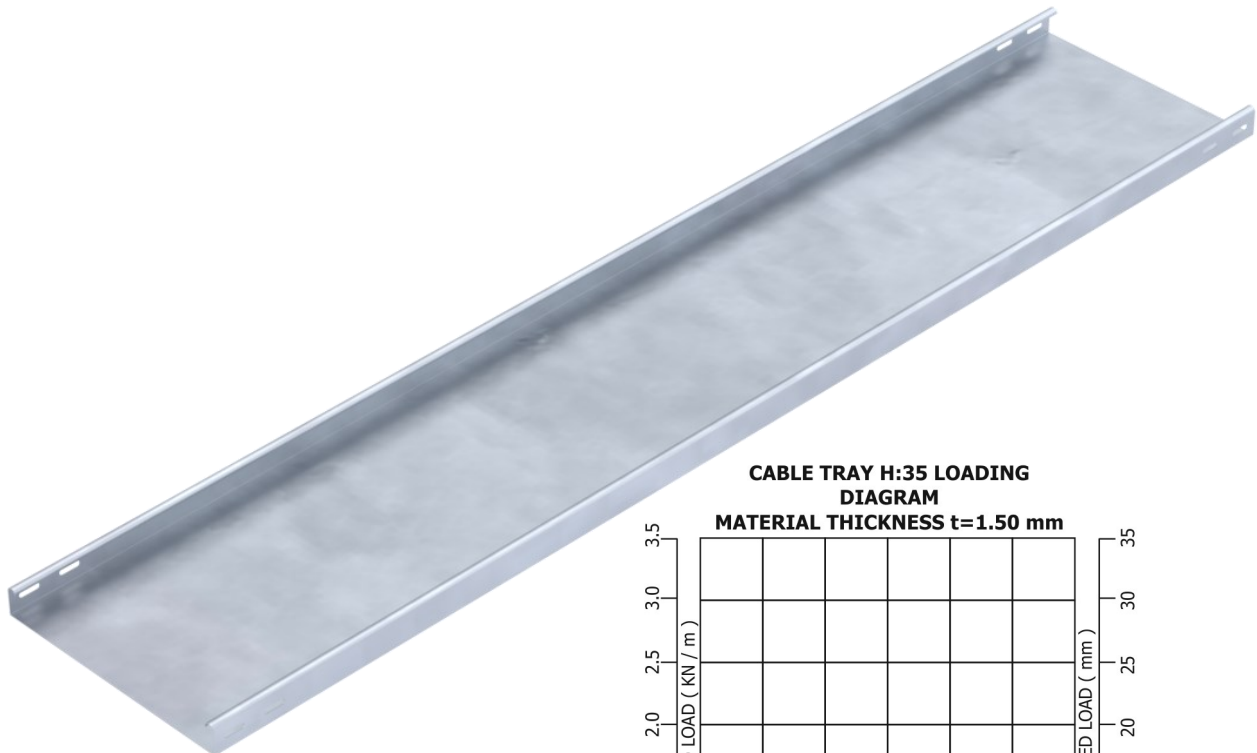
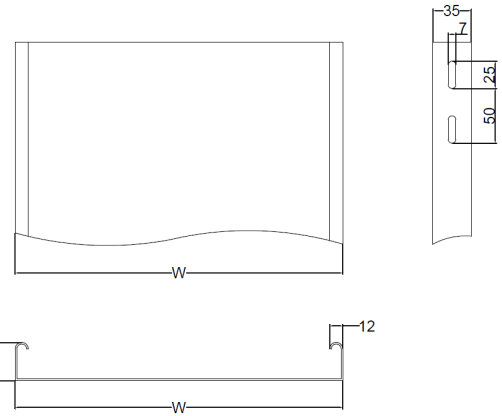
Heavy Duty Cable Trays / Unperforated

Hot Dip Galvanized According To EN ISO 1461

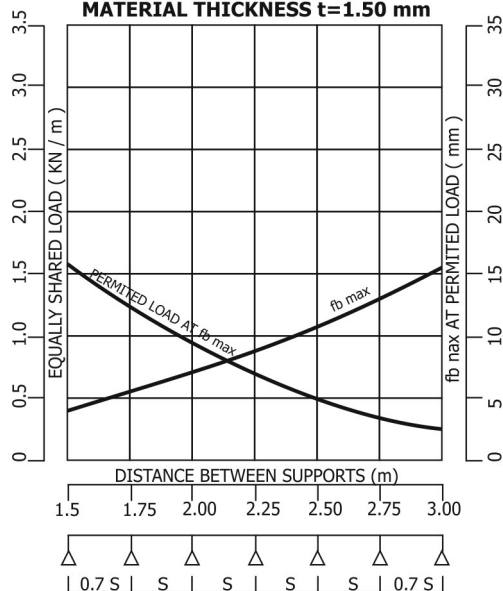


- ◆ **Producer** METALLODOMI SA
- ◆ **Description** Heavy Duty Cable Trays / Unperforated / Side Height H35
- ◆ **Material** Galvanized Steel According To EN ISO 1461
- ◆ **Length** 3000mm
- ◆ **Use** Outdoor / Wet Indoor Facilities

CODE	WIDTH (W) mm	HEIGHT(H) mm	THICKNESS mm
020U.050035150	050	35	1.50
020U.100035150	100	35	1.50
020U.150035150	150	35	1.50
020U.200035150	200	35	1.50
020U.300035150	300	35	1.50
020U.400035150	400	35	1.50
020U.500035150	500	35	1.50
020U.600035150	600	35	1.50



CABLE TRAY H:35 LOADING DIAGRAM
MATERIAL THICKNESS $t=1.50$ mm



ISO 9001:2015